

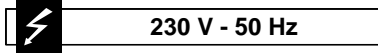
# Model KD 323

Version:

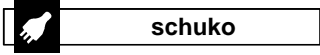
Serial number:

Code: **14447**

24/02/2017

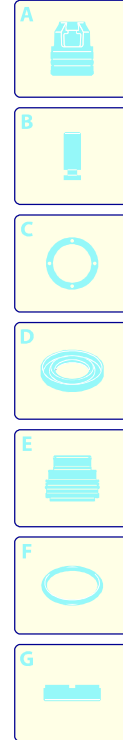
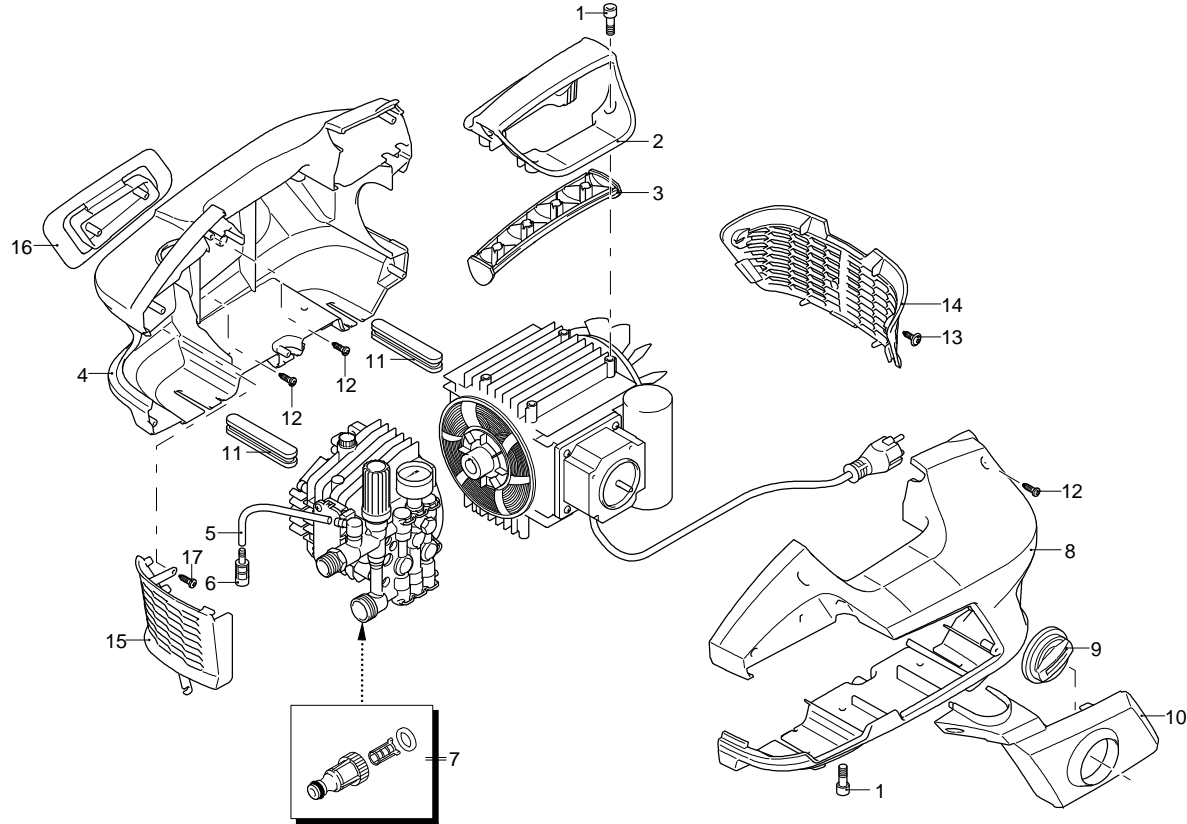


230 V - 50 Hz



schuko

Validity	Pos.	Code	Description	Q
	1	on request	Screw	8
	2	on request	Handle	1
	3	on request	Cover	1
	4	on request	Casing	1
	5	on request	Detergent hose	1
	6	on request	Filter	1
	7	on request	Water coupling kit	1
	8	on request	Casing	1
	9	1345542	Knob	1
	10	on request	Guard	1
	11	on request	Rubber foot	2
	12	on request	Screw	10
	13	on request	Screw	2
	14	on request	Grille	1
	15	on request	Grille	1
	16	on request	Support	1
	17	on request	Screw	1



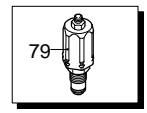
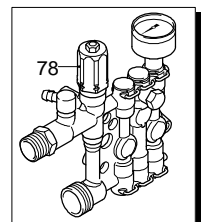
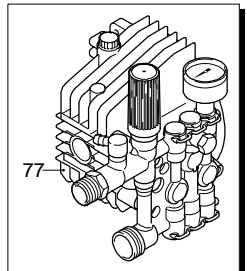
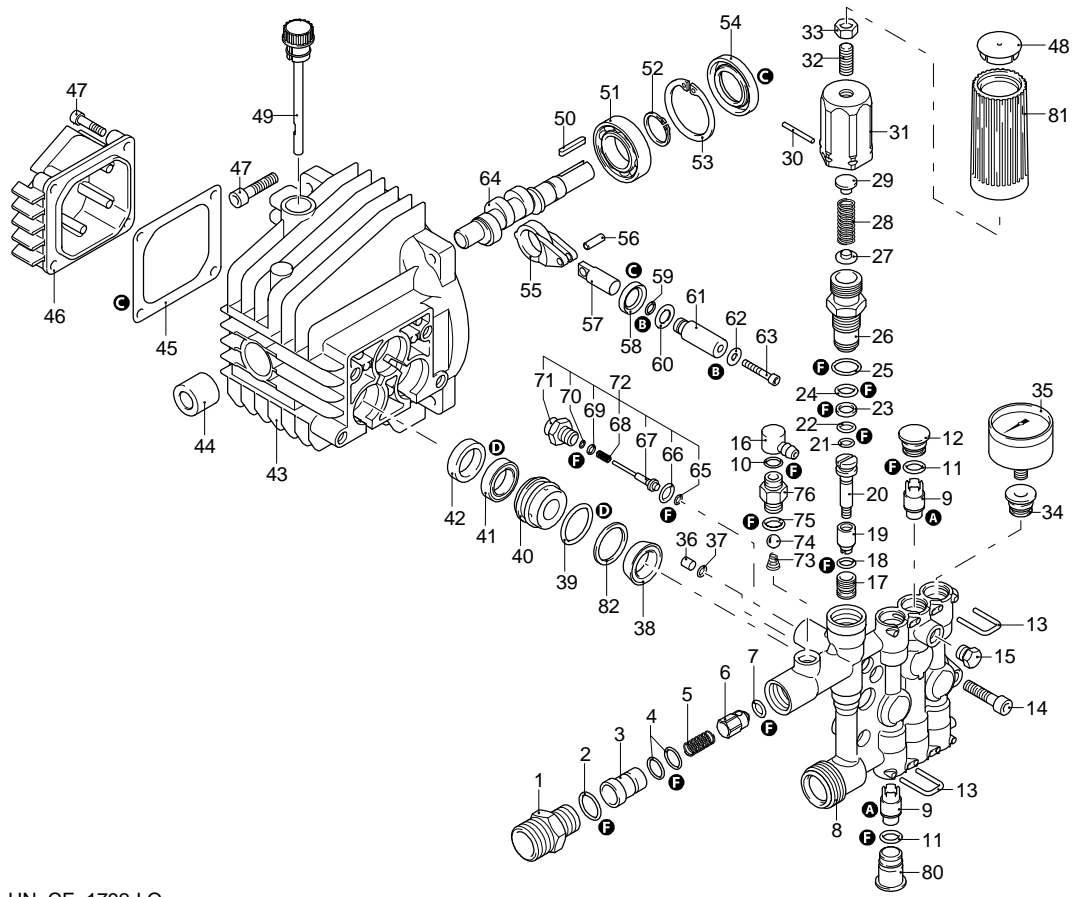
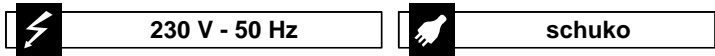
# Model KD 323

Version:

Serial number:

Code: **14447**

24/02/2017



Validity	Pos.	Code	Description	Q
	1	on request	Fitting	1
	2	on request	O-ring	1
	3	290106	Injector	1
	4	on request	O-ring	2
	5	378045	Spring	1
	6	290107	Shutter	1
	7	on request	O-ring	1
	8	on request	Head	1
	9	on request	Valve	6
	10	on request	O-ring	1
	11	on request	O-ring	6
	12	on request	Plug	2
	13	on request	Fork	6
	14	on request	Screw	4
	15	on request	Plug	1
	16	on request	Hose tail	1
	17	on request	Seat	1
	18	on request	O-ring	1
	19	on request	Piston	1
	20	on request	Piston	1
	21	on request	O-ring	1
	22	on request	O-ring	1
	23	on request	Ring	1
	24	on request	O-ring	1
	25	on request	O-ring	1
	26	on request	Piston guide	1
	27	on request	Wobble plate	1
	28	on request	Spring	1
	29	on request	Wobble plate	1
	30	on request	Pin	1
	31	on request	Insert	1
	32	on request	Screw	1
	33	on request	Nut	1
	34	on request	Plug	1
	35	on request	Pressure gauge	1
	36	on request	Plug	1
	37	on request	O-ring	1
	38	on request	Gasket	3
	39	on request	O-ring	3
	40	on request	Piston guide	3
	41	on request	Water seal	3
	42	on request	Ring	3
	43	on request	Pump body	1
	44	on request	Bushing	1
	45	on request	O-ring	1
	46	on request	Cover	1
	47	on request	Screw	8
	48	on request	Plug	1
	49	on request	Plug	1
	50	on request	Key	1
	51	on request	Bearing	1
	52	on request	Ring	1
	53	on request	Ring	1
	54	on request	Ring	1
	55	on request	Connecting-rod	3
	56	on request	Pin	3
	57	on request	Piston	3
	58	on request	Oil seal	3
	59	on request	O-ring	3
	60	on request	Plate	3
	61	on request	Piston	3
	62	on request	Washer	3



# Model KD 323

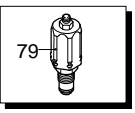
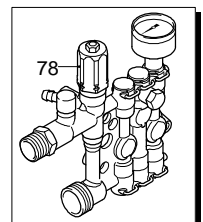
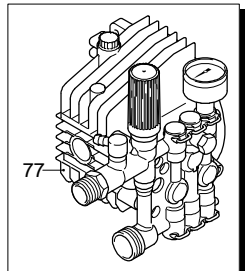
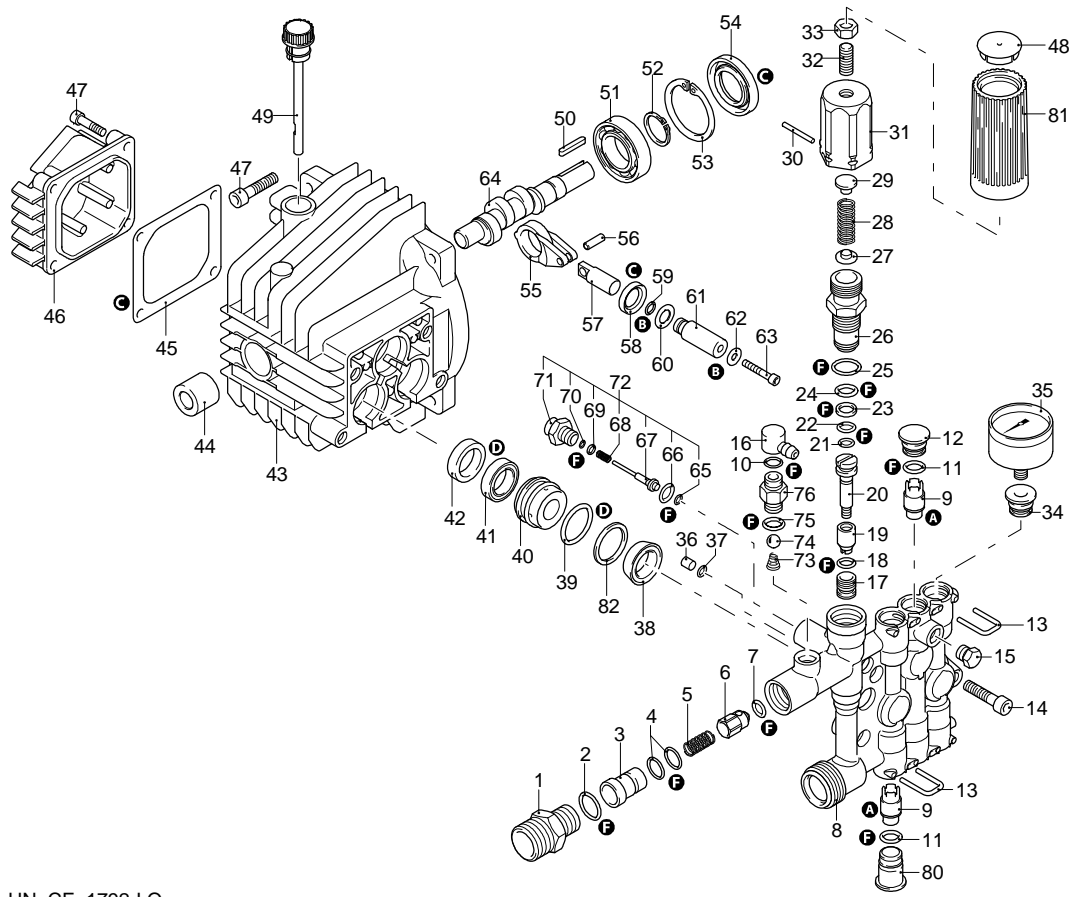
Version:





Serial number:

Code: **14447**

24/02/2017

 **230 V - 50 Hz**  **schuko**



- A** 
- B** 
- C** 
- D** 
- E** 
- F** 
- G** 

Validity	Pos.	Code	Description	Q
	63	on request	Screw	3
	64	on request	Shaft	1
	65	on request	O-ring	1
	66	on request	O-ring	1
	67	on request	Pin	1
	68	on request	Spring	1
	69	on request	Washer	1
	70	on request	O-ring	1
	71	on request	Fitting	1
	72	425800	TSS Retrofit kit	1
	73	on request	Spring	1
	74	on request	Ball	1
	75	on request	O-ring	1
	76	on request	Fitting	1
	77	on request	Pump assembly	1
	78	on request	Head assembly	1
	79	426900	Valve kit adjustment	1
	80	on request	Plug	3
	81	on request	Knob	1
	82	on request	Ring	1
	A	426910	Valve kit	1
	B	262300	Piston kit	1
	C	426960	Oil seal kit	1
	D	430330	Water seal kit	1
	F	426970	Water seal kit	1



# Model KD 323

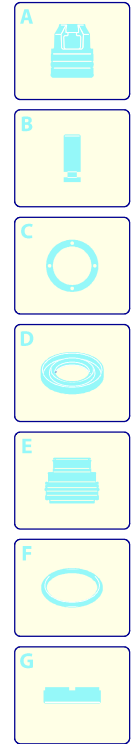
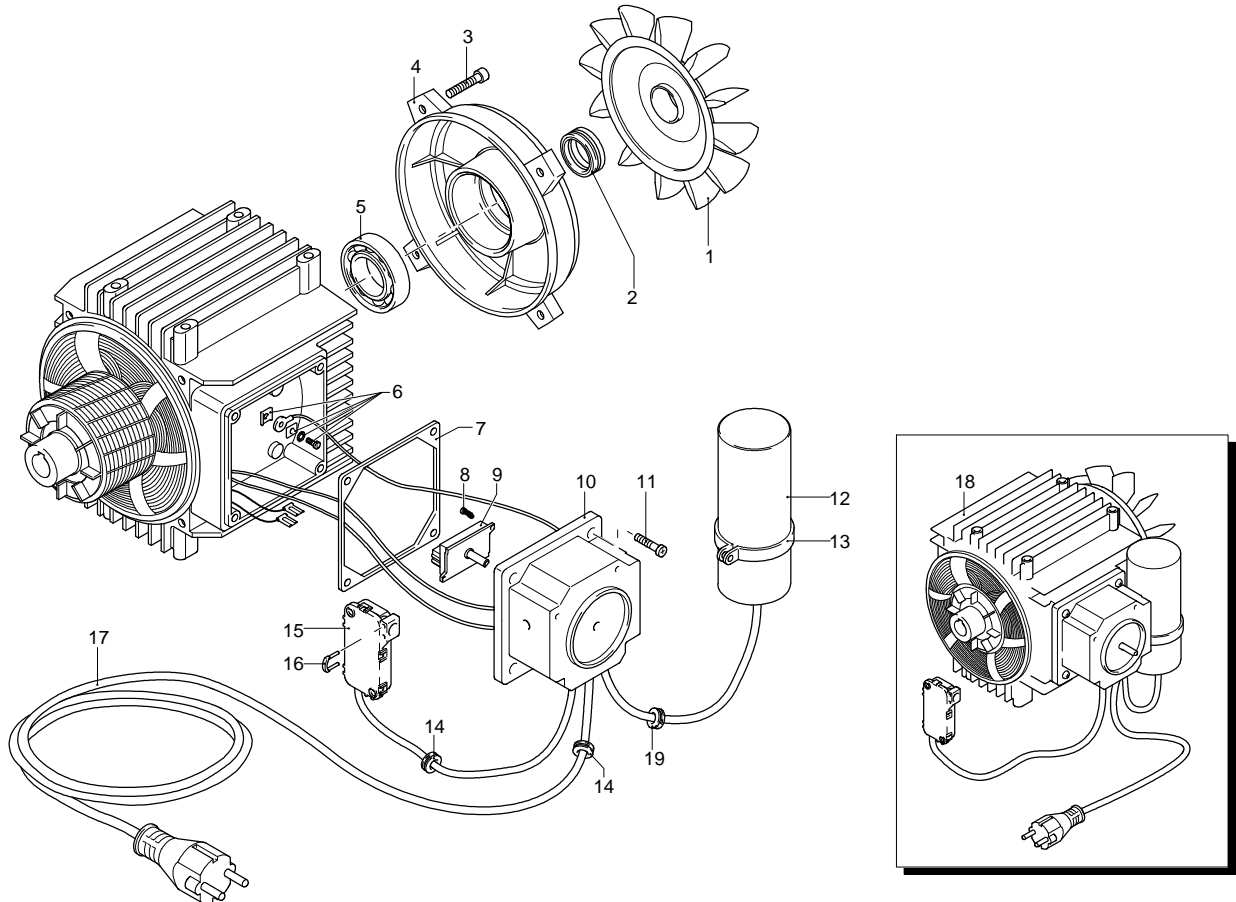
Version:

Serial number:

Code: **14447**

24/02/2017


230 V - 50 Hz

schuko



Validity	Pos.	Code	Description	Q
	1	on request	Fan	1
	2	on request	Seal	1
	3	on request	Screw	4
	4	on request	Shield	1
	5	on request	Bearing	1
	6	on request	Clamp	1
	7	on request	Gasket	1
	8	on request	Screw	2
	9	2900420	Switch	1
	10	on request	Box	1
	11	on request	Screw	4
	12	1982190	Capacitor	1
	13	on request	Clamp	1
	14	on request	Gland	2
	15	2029752	TSS box assembly	1
	16	on request	Fork	1
	17	on request	Cable	1
	18	on request	Motor	1
	19	on request	Gland	1